

# Paper Feed Unit Type 400

(Code: G360)

For Machine Code: G094/G095

## INSTALLATION GUIDE

### ⚠ CAUTION:

- *The printer weighs about 17 kg (37.5 lbs.).*
- *When lifting the machine, use the inset grips on both sides. Otherwise the printer could break or cause injury if dropped.*
- *Before installing options, the machine should be turned off and unplugged for at least thirty minutes. Components inside the machine become very hot, and can cause a burn injury if touched.*
- *It is dangerous to handle the plug with wet hands. Doing this may result in receiving an electric shock.*
- *Before moving the machine, unplug the power cord from the outlet. If the cord is unplugged abruptly, it could become damaged. Damaged plugs or cords can cause an electrical or fire hazard.*

### ⚡ Important

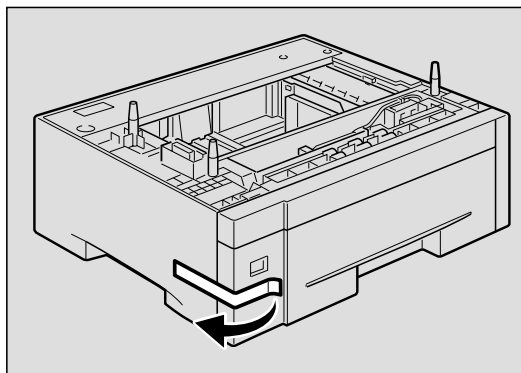
- Do not slide more than one paper tray out at the same time. Having more than one paper tray filled with paper in a fully extended position could cause the machine to fall down.
- More than two Paper Feed Units Type 400 cannot be attached.
- Check the printer nameplate to confirm the model code.

- 1 Check the contents of the box for the following items:

Description	Q'ty
Paper Feed Unit (including a paper tray)	1
Installation Guide (This manual)	1

- 2 Confirm that the followings are true:
  - The power switch is turned off.
  - The power cord is unplugged from the wall outlet.

- 3 Remove the adhesive tape from the Paper Feed Unit.

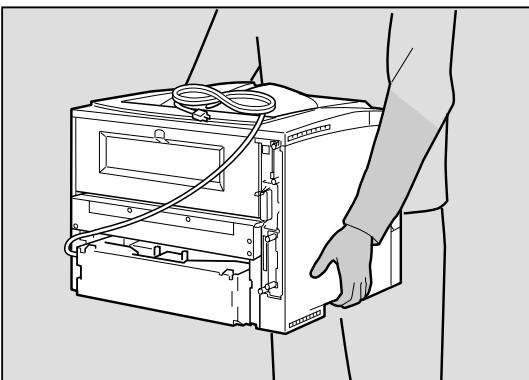
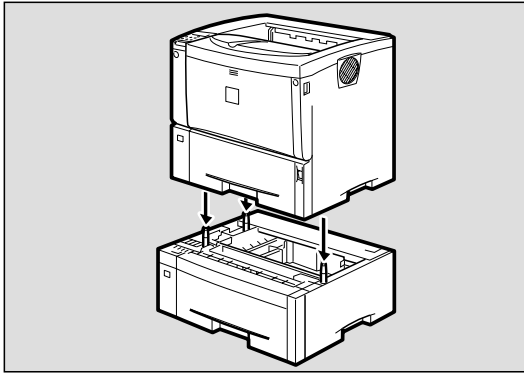


ZKEX390E

### 📝 Note

- If you attach two Paper Feed Units at the same time, stack them up in advance.

**4** There are three pins on the top of the Paper Feed Unit that point straight up. On the bottom of the printer there are three holes. Align the holes over the pins, and then lower the printer gently onto the Paper Feed Unit.



**5** Attach the interface cable to the printer.

**6** Plug the printer's power cord back into the wall outlet, and then turn on the power switch.

 **Note**

- After installing the last option that you want, print the configuration page to confirm the installation. If the new device is listed in the column of configuration options, then it has been properly installed. For more information about printing the configuration page, see "Printing the Configuration Page" in the Printer Reference on the CD-ROM labeled "Operating Instructions".
- If the Paper feed unit is not installed properly, repeat the procedure from step **4**. If you cannot install it properly even after reinstallation, contact your sales or service representative.

 **Reference**

For information about loading paper, see "Loading Paper in the Optional Paper Tray" in the Printer Reference on the CD-ROM labeled "Operating Instructions".

If the printing position is not correct, adjust the registration of the trays. For more information about adjusting the registration of the trays, see "Adjusting the Registration of the Trays" in the Printer Reference.